



PROFESSIONAL PLASTICS

Level 2 Medical Gowns - AAMI Level 2, made from 45 gsm SMS



SF-ISOL2- Isolation Gown

Intended Use

SMS Polypropylene Isolation Gown designed to protect health professionals and patients from cross infection, and that can be disposed of in general waste through routine housekeeping channels.

Protective ultrasonically sealed gown that meets AAMI PB70 level II barrier performance for protective apparel.

AAMI PB70 Level II		
Characteristic	Testing Methodology	Acceptable Limit
Impact Penetration	AATCC 42	≤ 1 g
Hydrostatic Pressure	AATCC 127	≥ 20 cm of H ₂ O

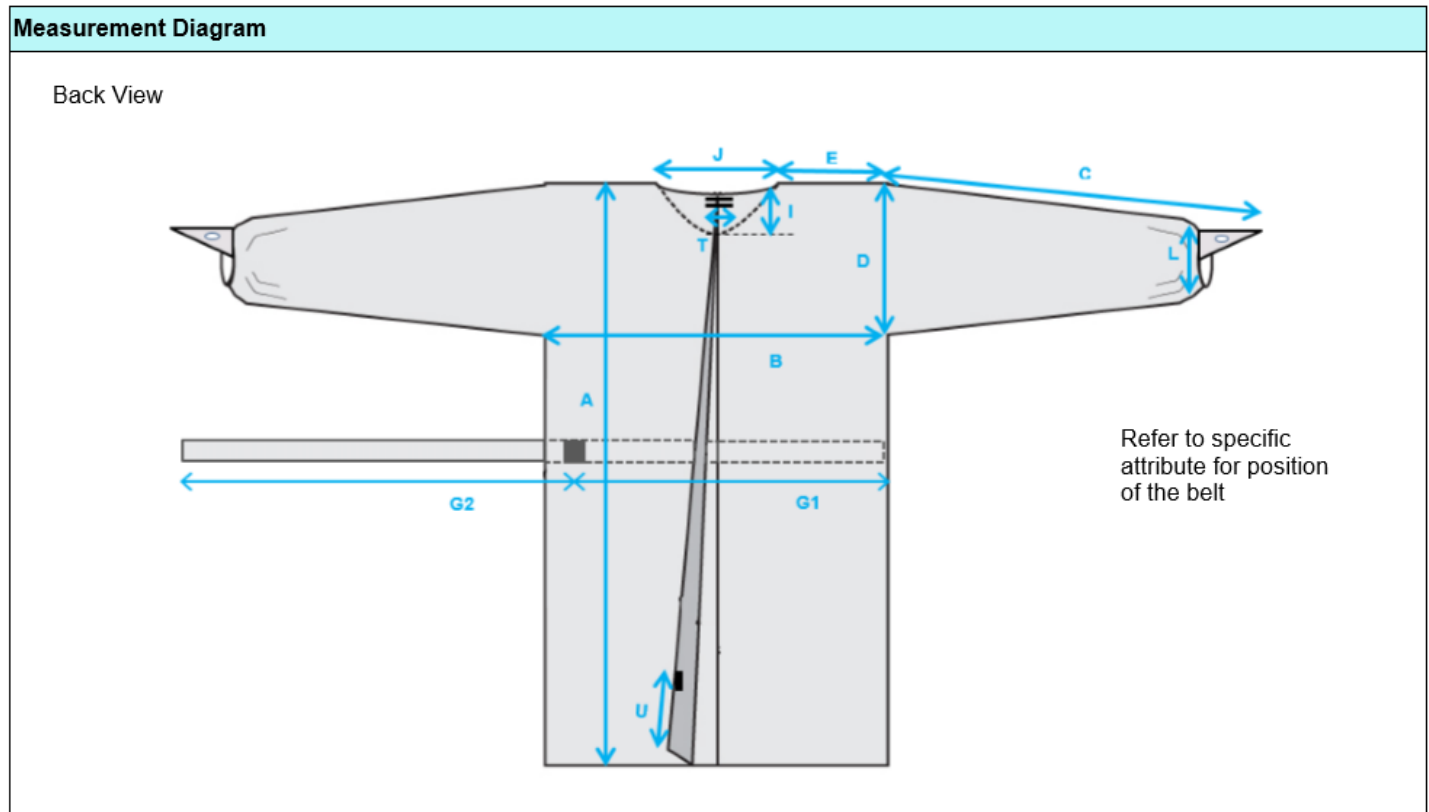
Characteristic	Specification
Material Composition	Spunbond Meltblown Meltblown Spunbond (SMMS) Polypropylene. Latex-Free
Description	Gown made of non-coated tri-layered non-woven material with full back closure. Features: flat waist belt, elastic cuffs with thumb loops, Over-The-Head (OTH) flexible neck closure made of two elastic strings.

Additional Information

Storage Condition	Country of Origin
Store under ambient temperature and dry condition	Cambodia

Dimension Table		Dimension (cm)
Part of Gown		Universal Size
A	Gown Length	112
B	Underarm Width	71
C	Sleeve Length (Includes Thumb Loop)	65
D	Shoulder Height	30
E	Shoulder Width	23
	Belt Position	20 cm below the arm, 7 cm toward the front
G1	Belt Length Front	87
G2	Belt Length Back	93
	Belt Width	5
I	Collar Depth	10
J	Collar Width	22
L	Cuff Width (Stretched)	14
T	Elastic Strings	9
U	Tag Position	23,5 (Left side of back only)

SF-ISOL2-Level 2 - Isolation Gown



www.professionalplastics.com/Medical-Gowns-AAMI-Level-2 sales@proplas.com

USA (888) 995-7767 – Singapore +65 6266-6193 – 台灣 Taiwan +886 (3) 535 7850