

# Application Case Story

## Meldin® 7000 Series

### APPLICATION:

Packaging Process Line

### MATERIAL:

Meldin® 7001

### PART DEFINITION:

Cap Holder

### TECHNICAL DATA:

#### TYPICAL DIMENSIONS:

2.52" ID x 2.52" OD x .12" Length  
(64mm x 64mm x 3mm)

COUNTERFACE: Plastic

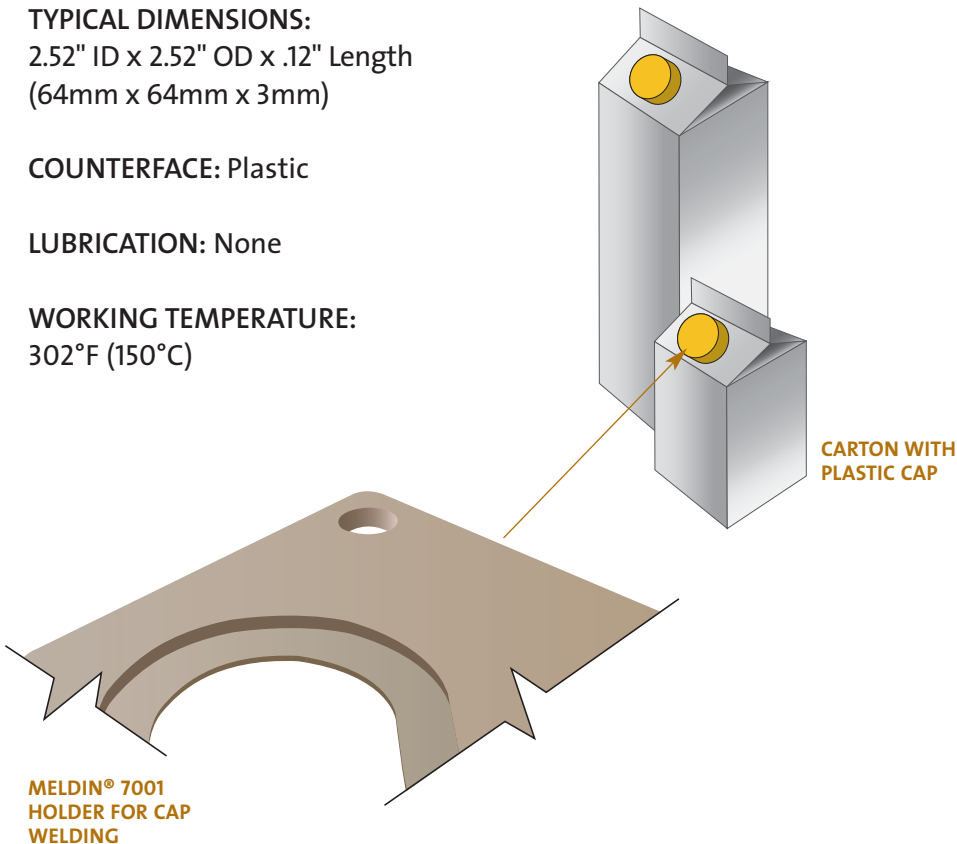
LUBRICATION: None

#### WORKING TEMPERATURE:

302°F (150°C)

### FEATURES / BENEFITS:

In a process line that produces beverage packaging with plastic caps, **Meldin® 7001** machined holders position the plastic cap during the hot welding process. **Meldin® 7001** offers high heat resistance and purity, which makes it ideal for this application.



### Saint-Gobain Performance Plastics

North America: 1-800-223-4966 Bristol, RI, USA

Europe: +32 3 458 28 28 Kontich, Belgium

Asia: +81 33 26 30 285 Tokyo, Japan

Email: [sgppl.marketing@saint-gobain.com](mailto:sgppl.marketing@saint-gobain.com)

Website: [www.rulon-meldin.com](http://www.rulon-meldin.com)

ACS-439-PDF-0405-SGCS

Meldin® is a registered trademark.  
©2005 Saint-Gobain Performance Plastics

