

Multi-Function tool extracts drive tools and load locks the anchor system. Available with a load cell for immediate testing. Ideal for orchard, vineyard and erosion control applications.

## FEATURES / BENEFITS

- Jaw and lever mechanism makes easy work of extraction
- Pulls straight up and extracts without bending
- Eliminates side loading and resulting strain on operator's back
- Eliminates heavy machinery
- Saves labour by making it a one-person job
- Extractor made from heavy gauge steel plate and tubing
- Gripping jaws made from case hardened AR400 steel that will last for thousands of pulls
- The sturdy lever arm gives you a 16 to 1 mechanical advantage
- Light weight 12 kg only



## APPLICATIONS



Drive Rod removal



Load-locking the Terra-Lock for Civil applications



Load-locking the Anchor using the Loop Puller for Vineyard applications

## RELATED PRODUCTS



GPD



Loop Puller



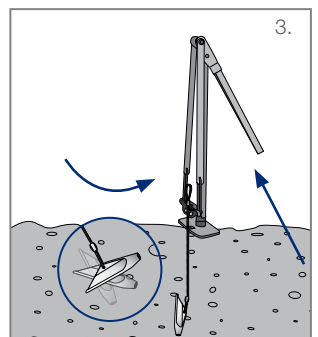
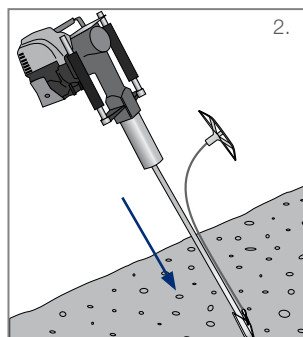
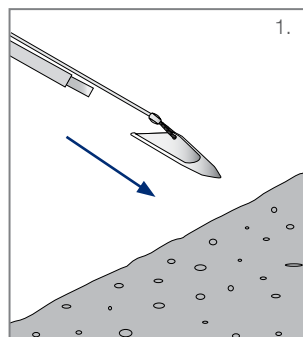
Drive Rod



JackJaw Load Cell

For more information contact us or visit our website - [www.gripple.com](http://www.gripple.com)

## INSTALLATION PROCESS



1. Insert Drive Tool through the anchor and place against surface
2. Use GPD to install the anchor at the required depth
3. Use JackJaw® to remove Drive Rod Tool and load lock system