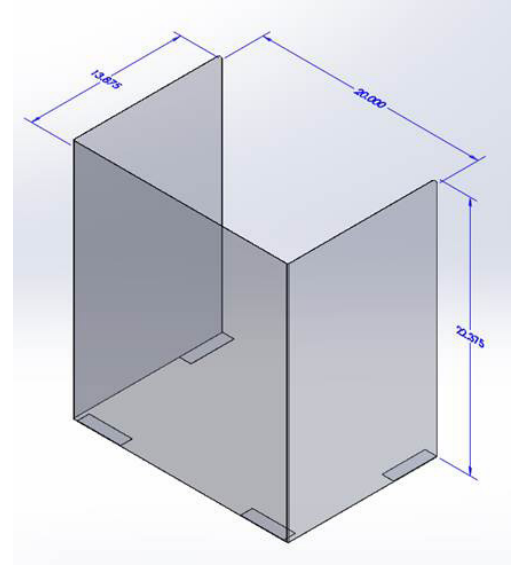
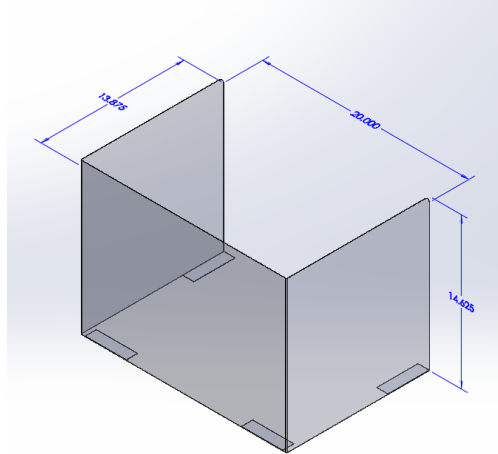




NEW YORK STUDENT SHIELD



PRODUCT SPECIFICATIONS

MATERIAL

PETG / PC

THICKNESS RANGE

.020" THICK - .040" THICK

SIZES

REGULAR SHIELD - 20.000" LONG X 13.875" WIDE X 14.625" TALL
TALL SHIELD - 20.000" LONG X 13.875" WIDE X 22.375" TALL

MODEL NO.

FAB-STUDENTSHIELD
FAB-STUDENTSHIELD-TALL

COST

ACCESSORIES

QTY 4 - 4" VELCRO STRIPS

FEATURES

- LIGHTWEIGHT
- PORTABLE
- LOW COST
- SHATTERPROOF
- EASY TO ASSEMBLE